

OPERATE WITH CONFIDENCE®



F-15 EAGLE

AVAILABILITY DELIVERED®

ASI proudly provides a wide range of products and services to keep F-15s flying efficiently and effectively.



- AIRFRAME
- AVIONICS/INSTRUMENTS
- ENVIRONMENTAL/UTILITY
- FLIGHT CONTROLS AND HYDRAULICS
- LANDING GEAR
- POWERPLANT

A59100 certified



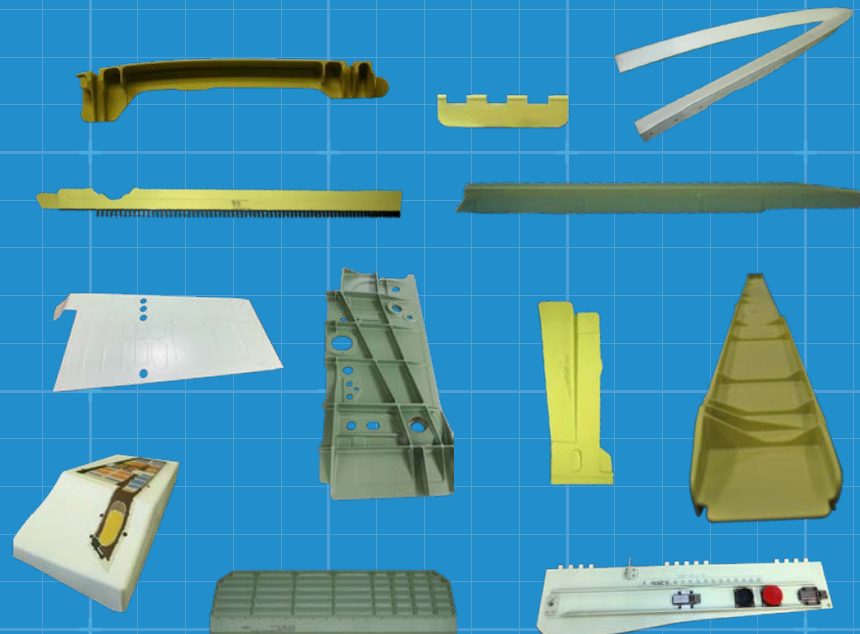
ASI AERONAUTICAL
SYSTEMS INC.



➤ ASI PROVIDES

Experience, Technical Expertise, Research and Global Focus. Our customers enjoy superior service, transparency and support.

➤ AIRFRAME



➤ AVIONICS/INSTRUMENTS



➤ ENVIRONMENTAL/UTILITY



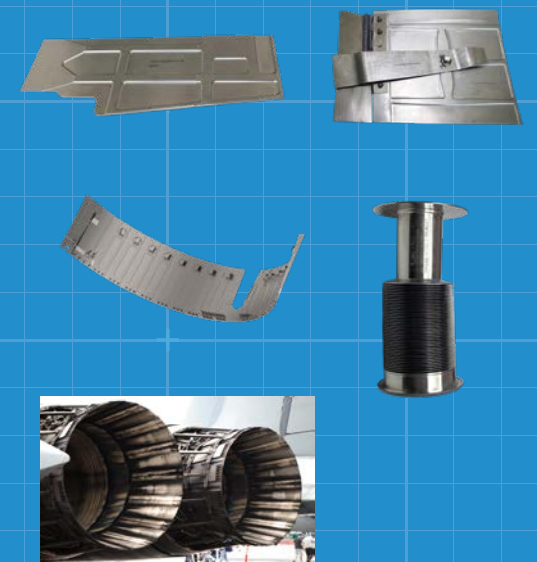
➤ FLIGHT CONTROLS AND HYDRAULICS



➤ LANDING GEAR



➤ POWERPLANT



AVAILABILITY DELIVERED®



CASE STUDY Specialized Engineering



The Arresting Hook is used during emergency landings to quickly pull the aircraft to a stop. When lowered, it snares an arresting cable laying across the runway. Pictured above are models and parts for the Shank Assembly for the Arresting Hook. This assembly is put together using standard bolts and Jo-Bolt rivets. It is painted in a striped black and white pattern for safety reasons. The body or shaft tube is made of high carbon steel and the hook point or wire hook is made from a titanium casting and then milled to spec.